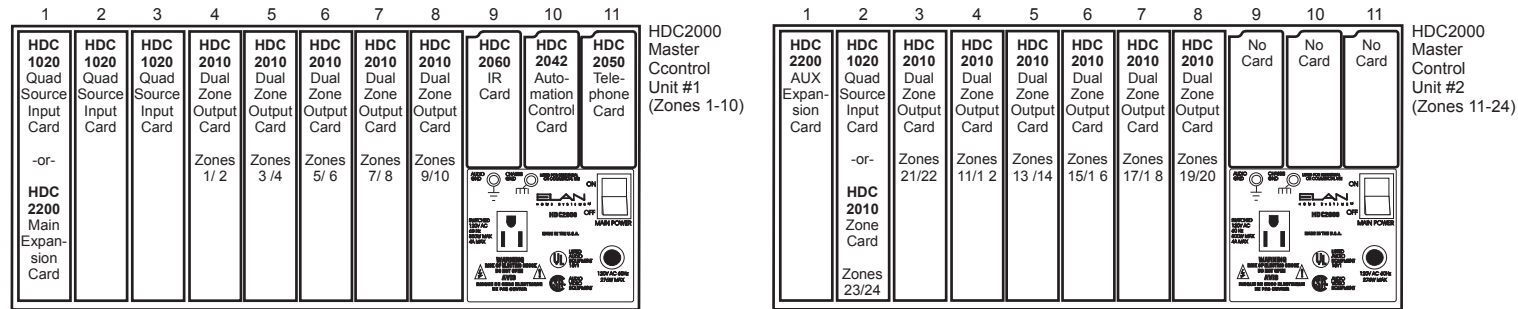


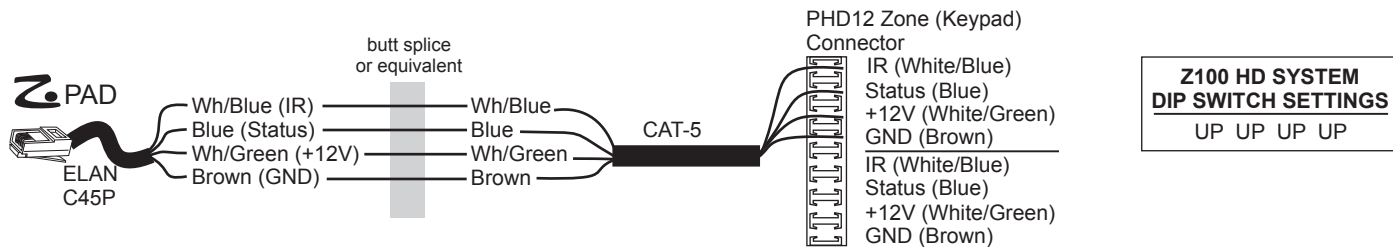
HD™ SYSTEM QUICK REFERENCE GUIDE



PHD12 PRECISION PANEL CONNECTIONS

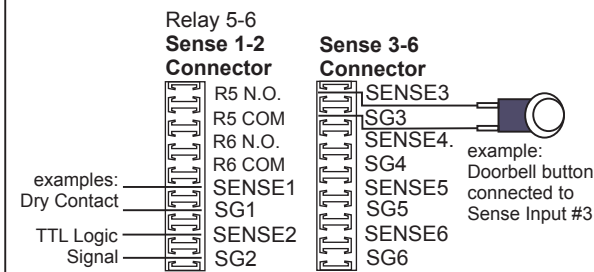
Z-PAD CONNECTIONS

There are 12 keypad punchdown connectors on the back of the PHD12 - 2 zones per connector. Each connector is labeled for either a single MCU (Zones 1-10) or dual MCU (Zones 11-24) system.

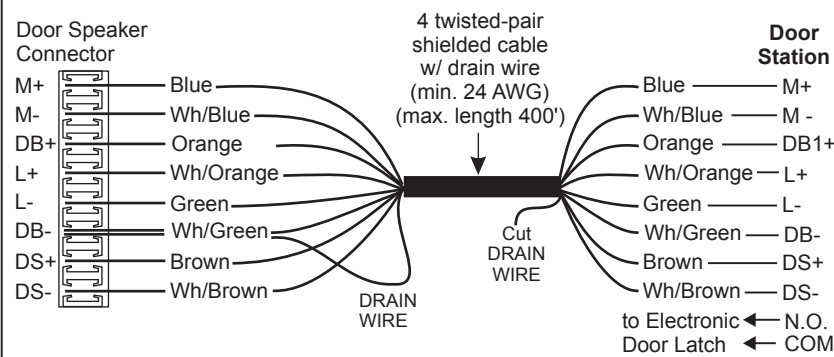


SENSE INPUT CONNECTIONS

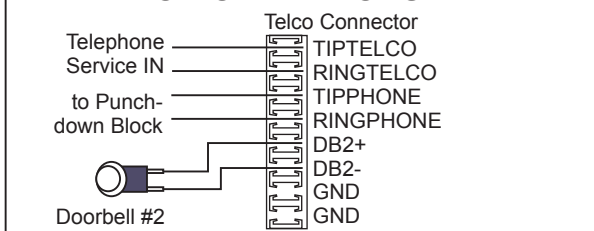
(HDC2042 Automation Control Card required) Sense Inputs can be configured to trigger by contact closure, TTL logic signal or doorbell button press (see HD Installation Manual)



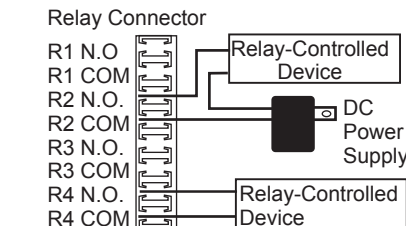
DOOR SPEAKER ASSEMBLY CONNECTIONS



TELCO CONNECTIONS

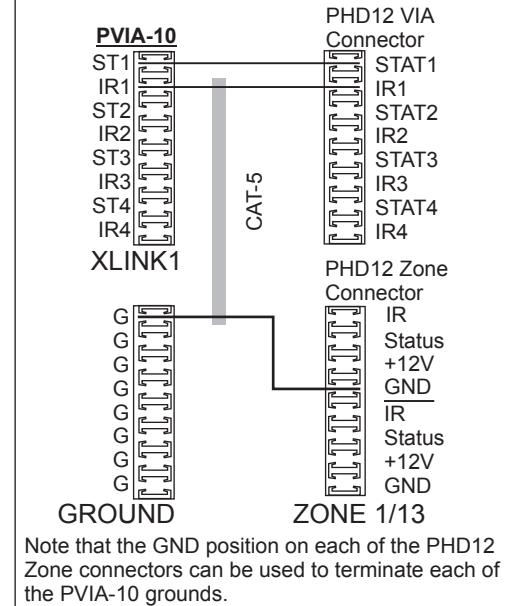


RELAY CONNECTIONS

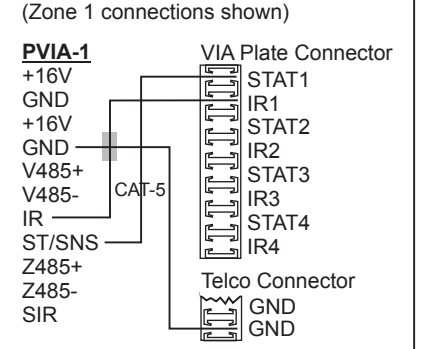


VIA! WALL PLATES to PHD12 CONNECTIONS

PVIA-10 to PHD12 (Zone 1 connections shown)

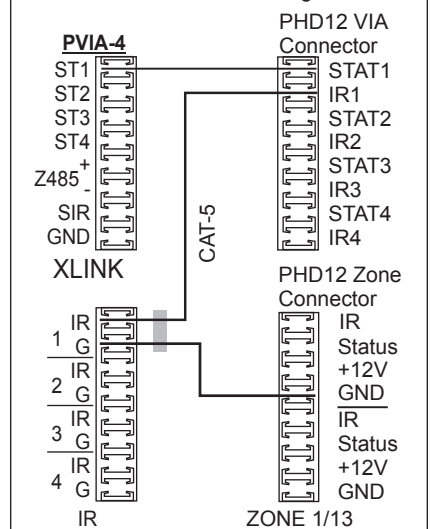


PVIA-1 to PHD12 (Zone 1 connections shown)



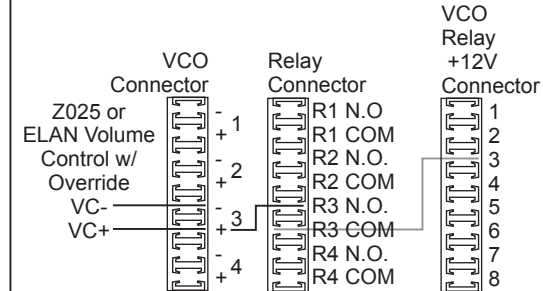
PVIA-4 to PHD12 (Zone 1 conns. shown)

Note that the GND position on each of the PHD12 Zone connectors can be used to terminate each of the PVIA-4 grounds.



Z025 & OVERRIDE CONNECTIONS

(VCO #3 connections shown)



Override Connections:

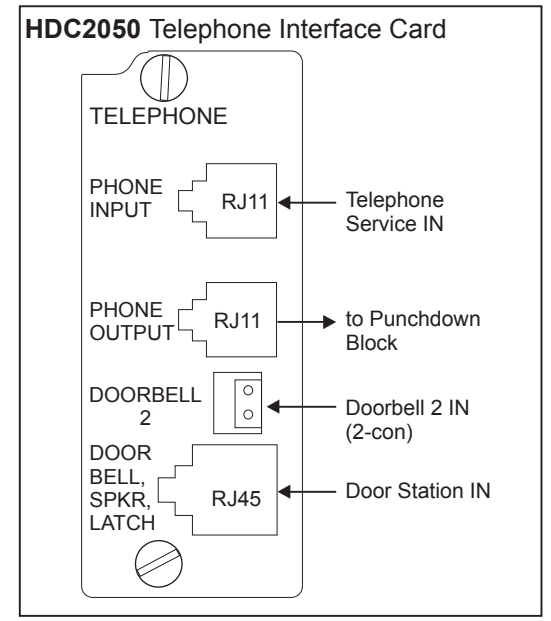
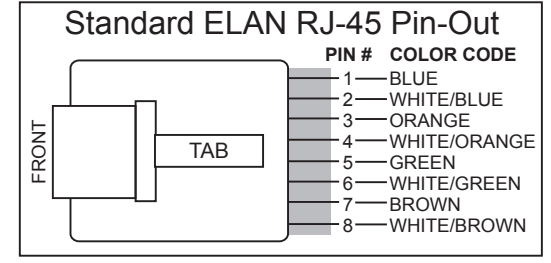
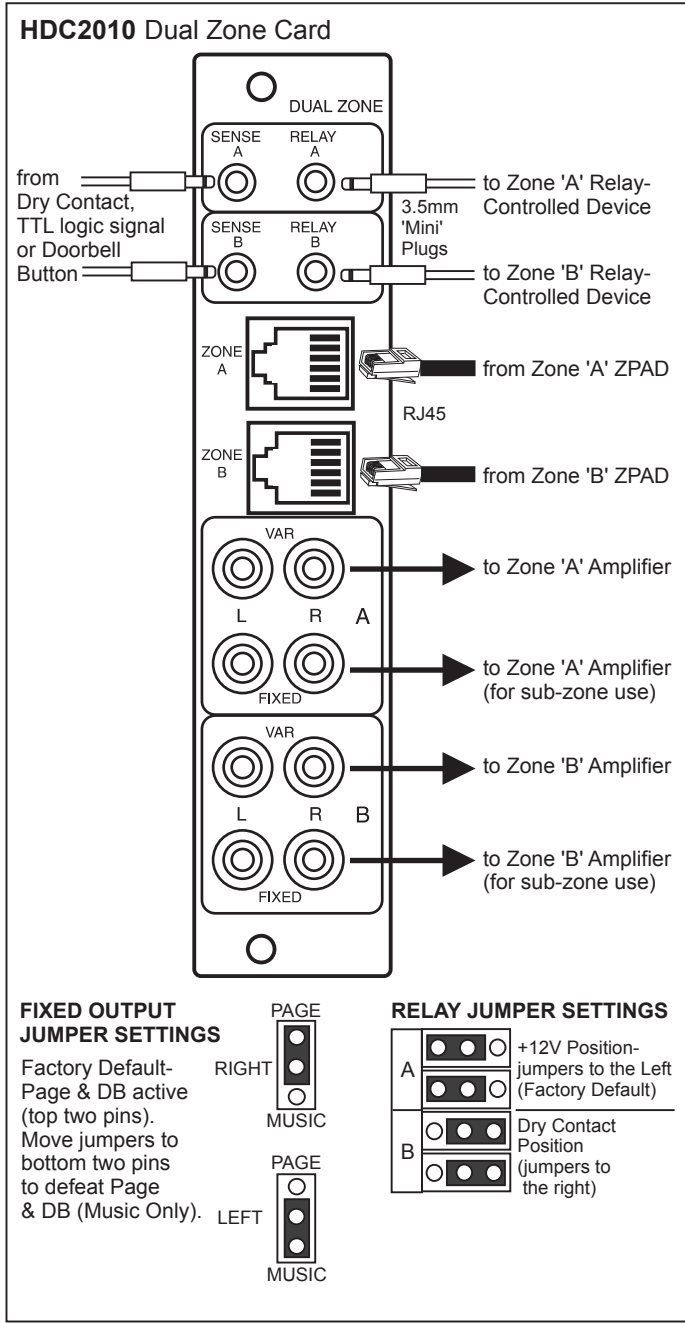
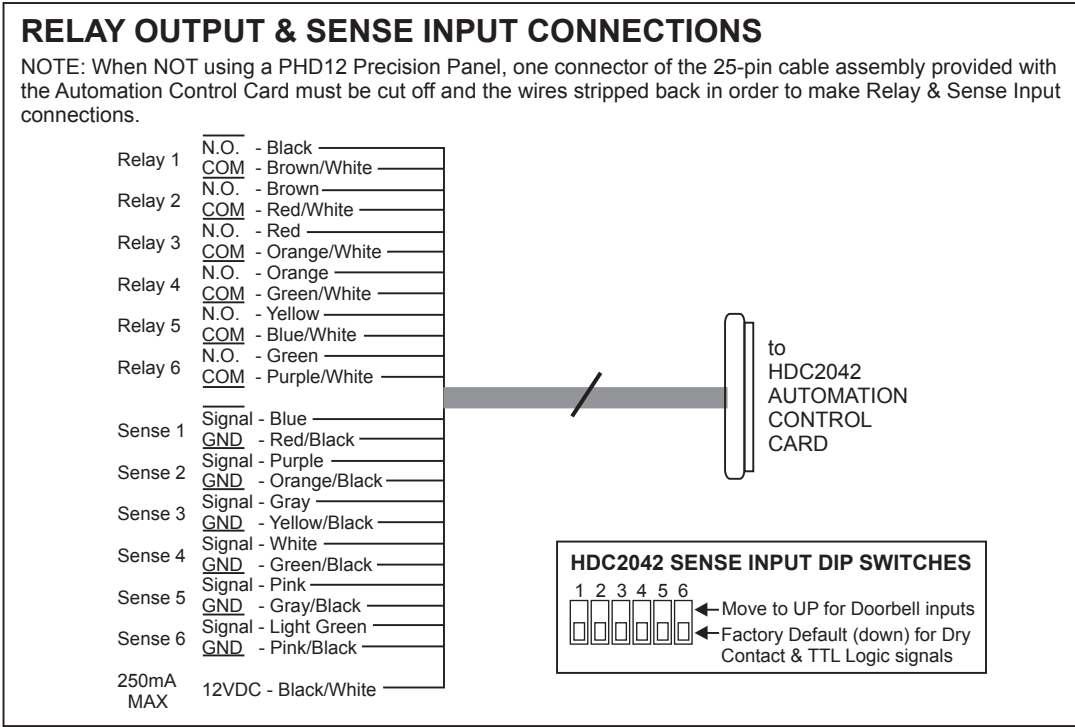
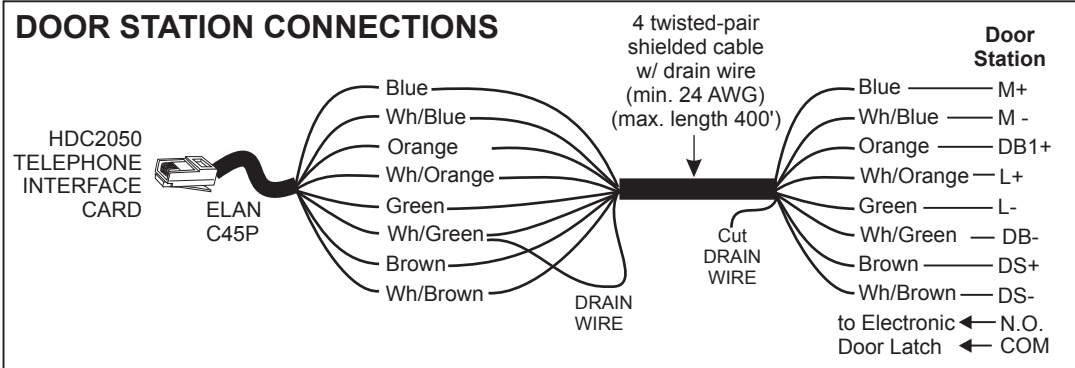
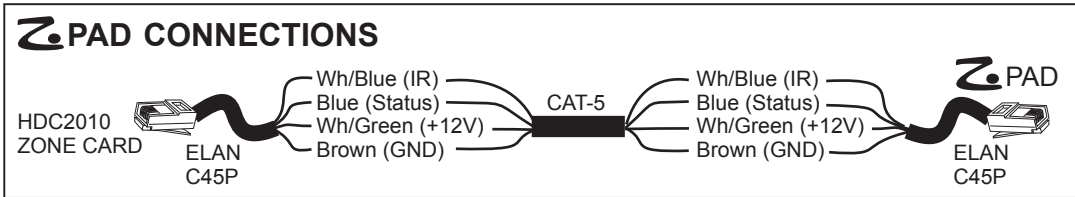
1. Volume Control VC+/- to PHD12 VCO +/-
2. PHD12 VCO+ to PHD12 RELAY N.O.
3. PHD12 RELAY COM to PHD12 VCO RELAY +12V

■ = maintain twisted pair



H O M E S Y S T E M S

HD SYSTEM QUICK REFERENCE GUIDE (When not using a PHD12 Precision Panel)



- #### IMPORTANT NOTES:
- MCUPro HD Setup Software is required for the programming of all MCUs with software rev. 3900 or higher.
 - HDC2010 Zone Cards require MCU software rev. 3990 or higher and can not be combined in the same chassis with the older HDC1010.
 - Never connect the +12V from a VIA! Touch Panel or PVIA Wall Plate to the Zone Card. This will result in the possible failure of the Zone Card, the MCU, or both.



H O M E S Y S T E M S