



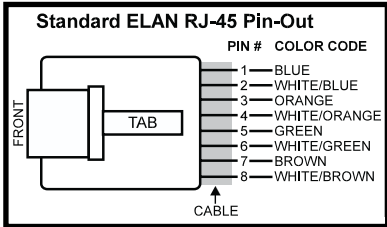
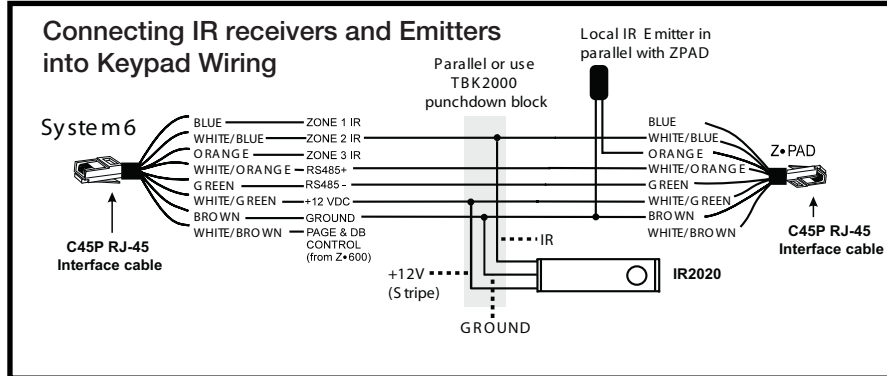
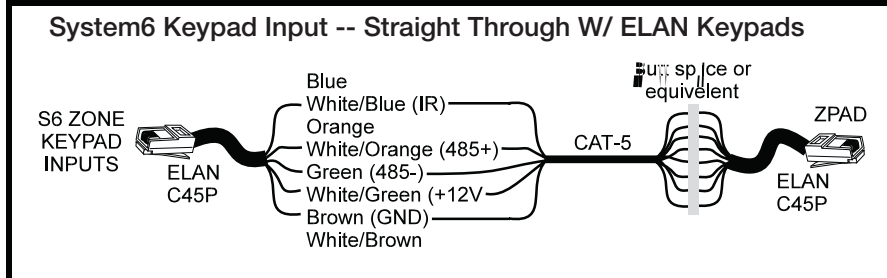
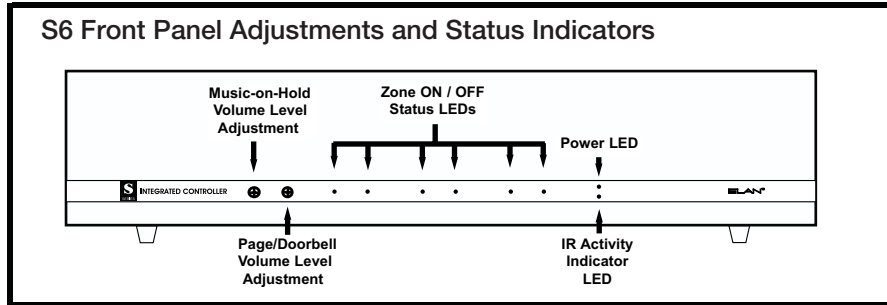
SYSTEM6 QUICK REFERENCE GUIDE



IMPORTANT NOTE VSE's, ZPADS, & IR

Each ZONE KEYPAD INPUT RJ45 jack on the S6 provides 12VDC@300mA. You may choose to load each INPUT with any combination of ZPADS, IR Receivers, or VSEs as long as the total current consumption DOES NOT EXCEED 300mA.

ZPADS (w/ IR Tube) = 65mA
 Z025 = 85mA
 VSE = 40mA
 Additional IR Receivers = 10mA



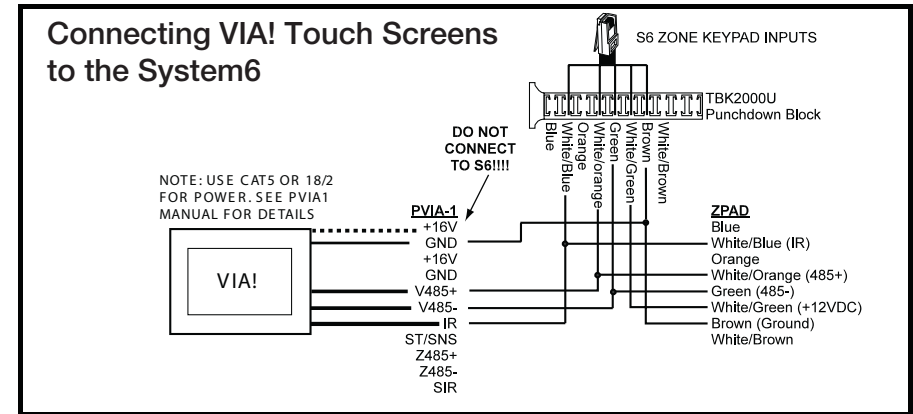
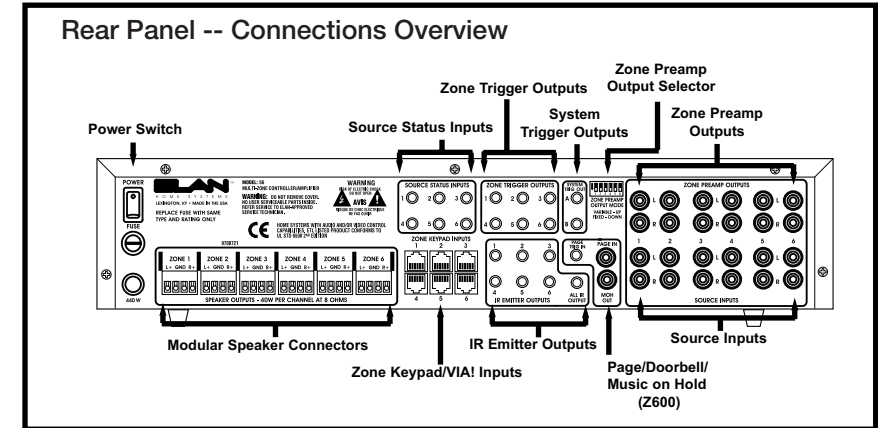
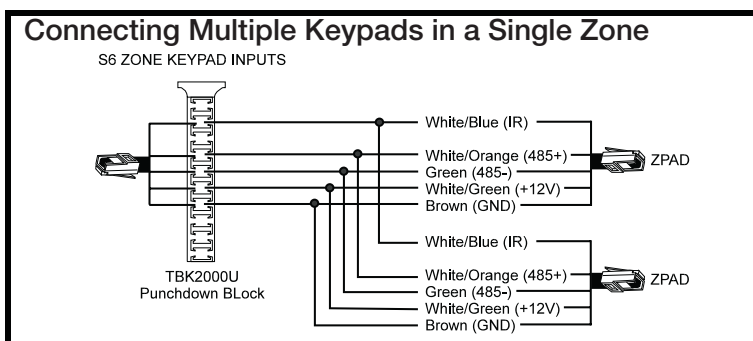
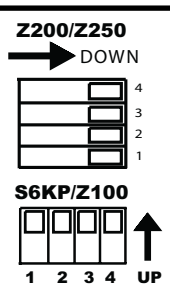
S6/ZPAD RJ-45 PIN-OUT

The S6 RJ-45 keypad jacks and all ZPAD RJ-45 jacks have the exact same pin-out.

S6 RJ45 Jack Pin #	ZPAD
Blue	Blue
(IR) White/Blue	White/Blue (IR)
Orange	Orange
(485+) White/Orange	White/Orange (485+)
(485-) Green	Green (485-)
(+12VDC) White/Green	White/Green (+12VDC)
Brown (Ground)	Brown (Ground)
White/Brown	White/Brown

Figure 7

Sys6 ZONE	DIP Switch #			
	1	2	3	4
1	DOWN	DOWN	UP	DOWN
2	DOWN	DOWN	UP	UP
3	DOWN	UP	DOWN	DOWN
4	DOWN	UP	DOWN	UP
5	DOWN	UP	UP	DOWN
6	DOWN	UP	UP	UP



IMPORTANT DESIGN NOTES:

1. The S6 internal amplifier is ALWAYS VARIABLE! Volume commands are IR controlled. There must be an IR keypad, VIA!, or IR receiver connected to each Zone Input to control Volume.
2. RCA Preouts are provided for subzone applications. Use an external amplifier and Volume Control for subzones requiring separate Volume functions. Set preouts to fixed and connect preouts to auxiliary amp.
3. S6 can be controlled from any ELAN keypad, IR receiver, or VIA!

NOTE: If more than one ZPAD is to be installed in a single zone, all wiring should be paralleled and both ZPADS should be assigned the same Zone ID.

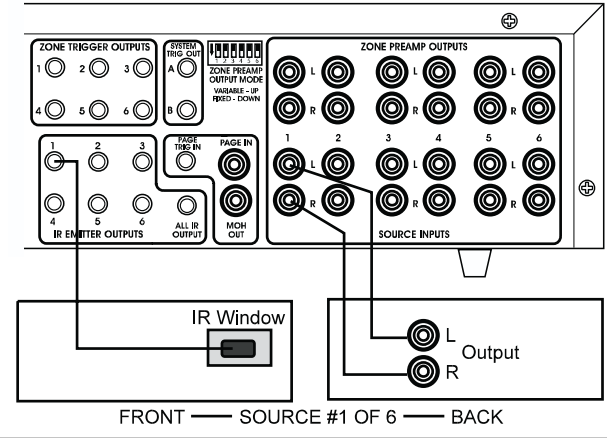


SYSTEM6 QUICK REFERENCE GUIDE



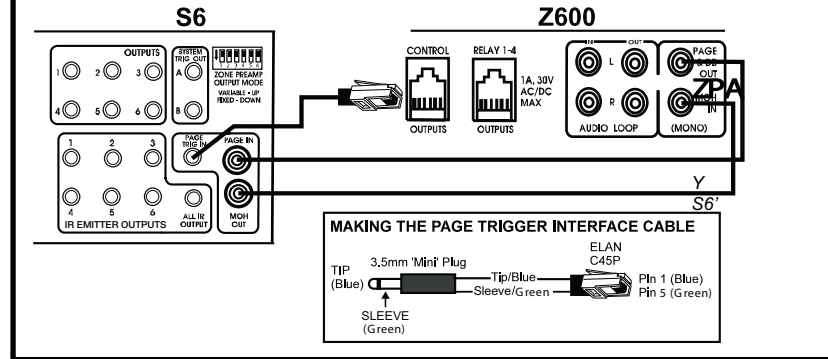
SOURCE AUDIO AND IR CONNECTIONS

Source #1 connections shown. Repeat for sources 2-6.



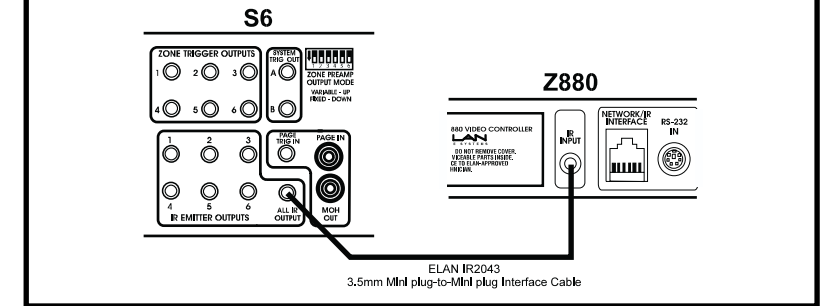
Connecting the Z600 COM Controller to the S6

NOTE: Use a multimeter to determine polarity. Don't Guess!



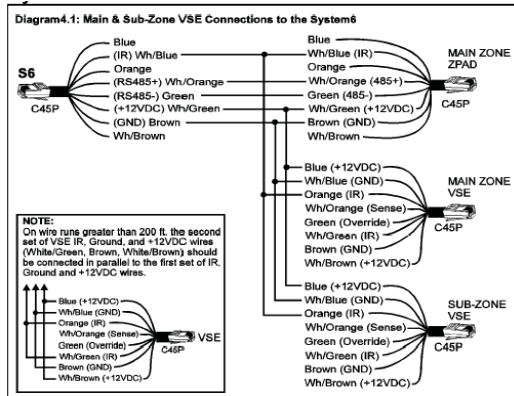
Connecting the Z880 Video Controller to the S6

NOTE: If additional devices such as the ELAN DTNR or VIAIdj are present, use an ELAN IRZ Infrared Expansion Block to increase the number of available ALL IR OUTPUT Jacks.



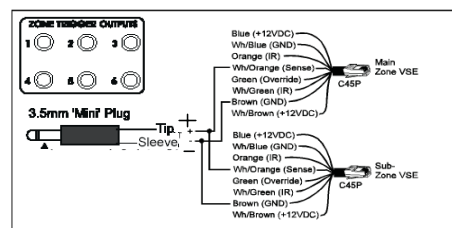
VSE Connection Diagram:

NOTE: Calculate your current requirements to ensure reliability!



VSE Sense Feature Connections:

Note: Sense Wire goes to Tip and Ground goes to Sleeve

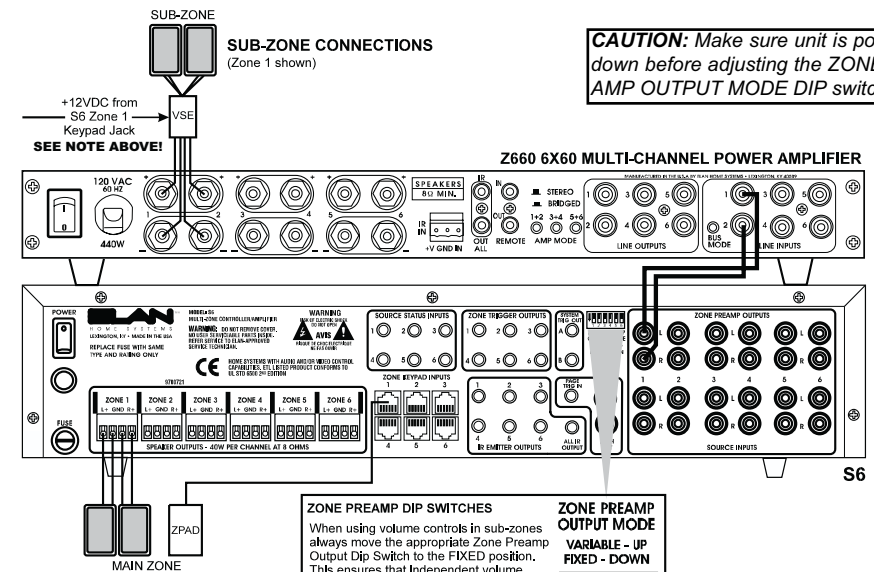


How the Sense Feature Operates:

When a user turns a zone off by keypad, the VSE's will mute automatically. When a user turns the main zone keypad "on" the VSE's stay muted with audio playing in the main zone only. The Mute light on the VSE will illuminate green to indicate that the main zone is turned "on". The user can touch the VSE or use the included remote to make audio playback in the subzones.

EXAMPLE SYSTEM DIAGRAM

Single Zone w/ Speakers and Keypad -- Subzone requires secondary amp and Volume Control -- Don't forget to set the preouts!



OTHER NOTES:

Rack Shelf Available Directly from Middle Atlantic Part# RSH4A3MELANS6