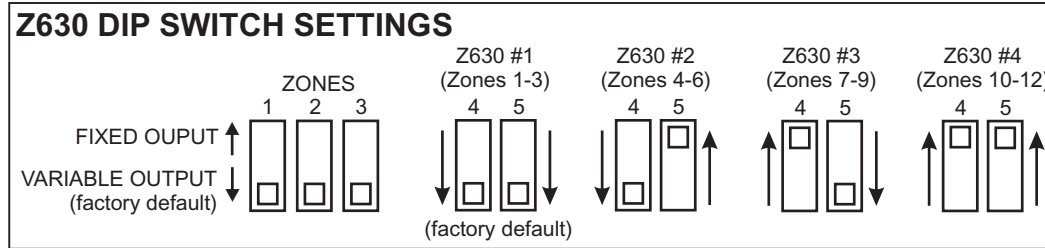
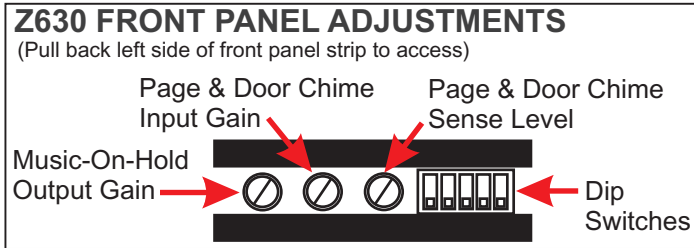


Z SYSTEM QUICK REFERENCE GUIDE

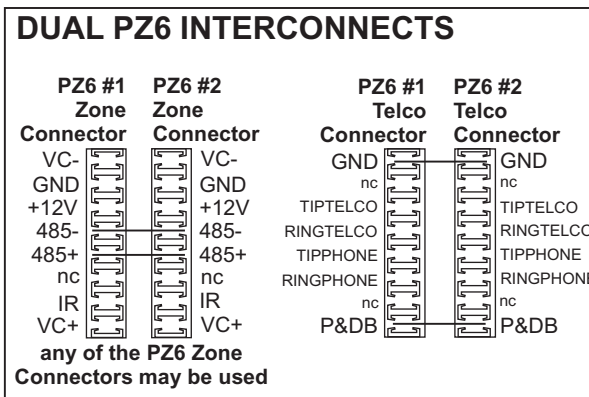
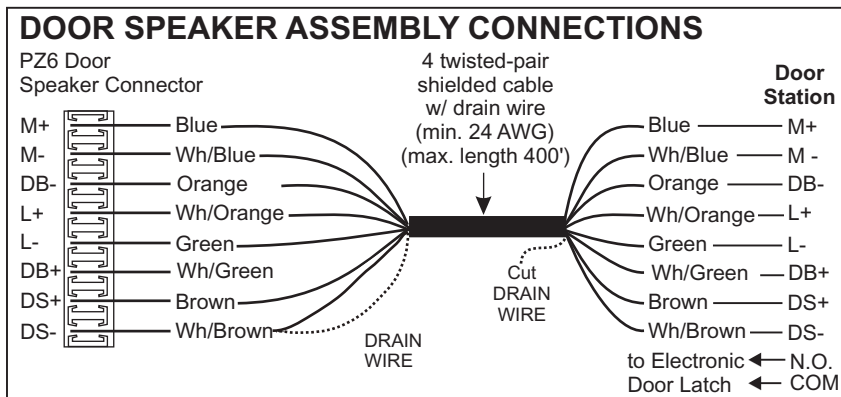
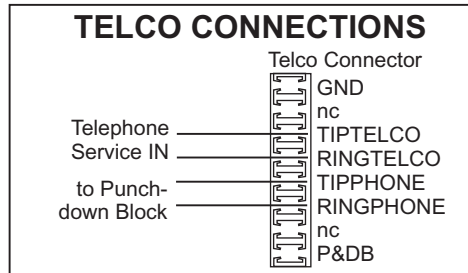
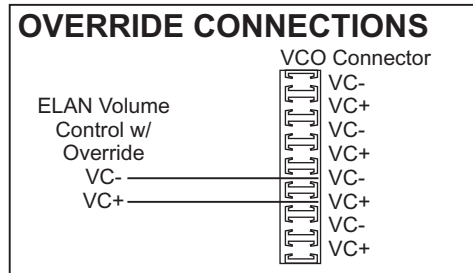
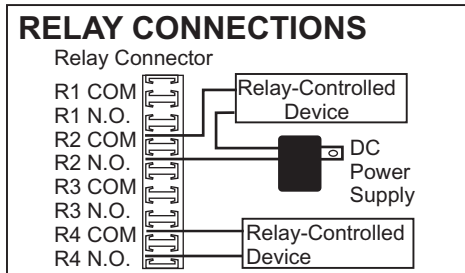
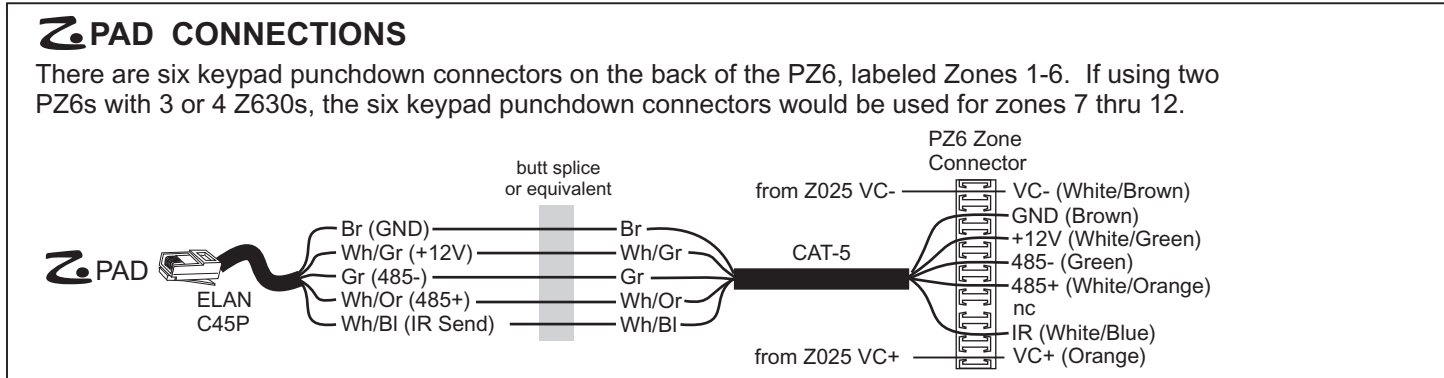
(see other side for Z System connections when NOT using a PZ6 Precision Panel)



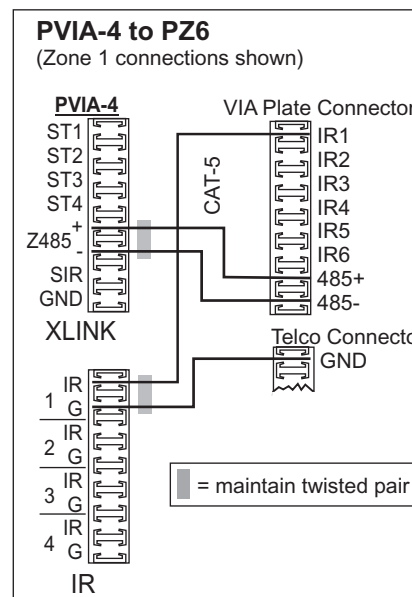
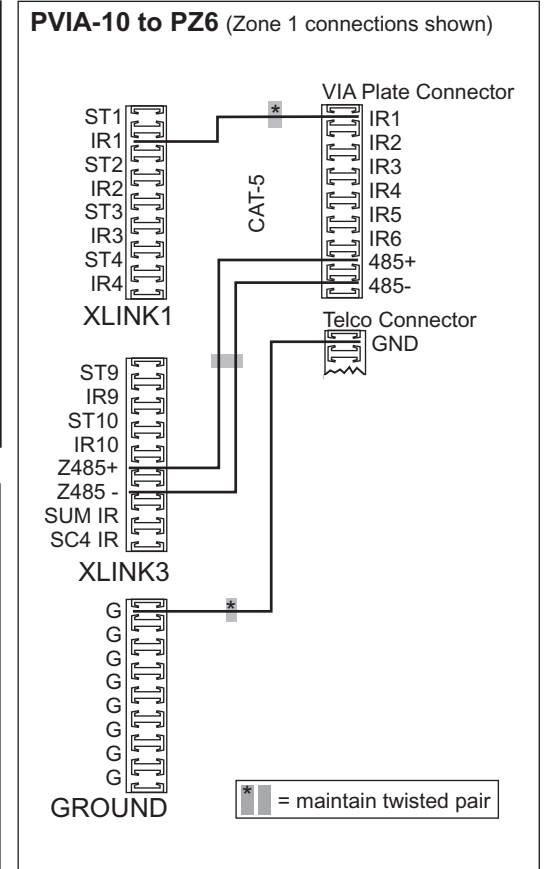
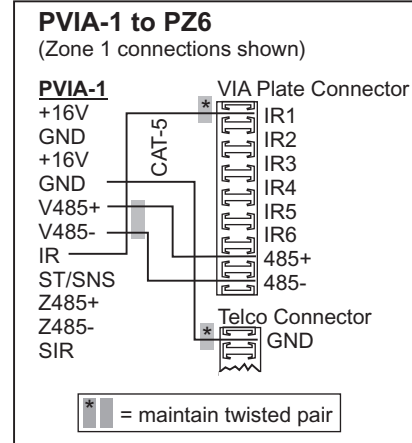
Z100 DIP SWITCH SETTINGS

Zone 1: DN DN UP DN	Zone 7: UP DN DN DN
Zone 2: DN DN UP UP	Zone 8: UP DN DN UP
Zone 3: DN UP DN DN	Zone 9: UP DN UP DN
Zone 4: DN UP DN UP	Zone 10: UP DN UP UP
Zone 5: DN UP UP DN	Zone 11: UP UP DN DN
Zone 6: DN UP UP UP	Zone 12: UP UP DN UP

PZ6 PRECISION PANEL CONNECTIONS



VIA! WALL PLATES to PZ6 CONNECTIONS



Z SYSTEM CONNECTIONS when NOT Using a PZ6 Precision Panel

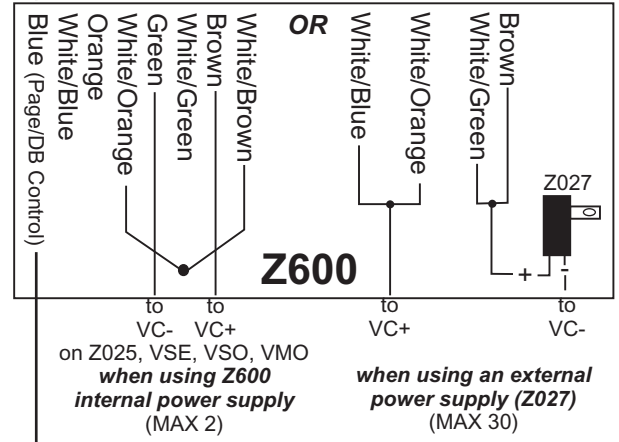
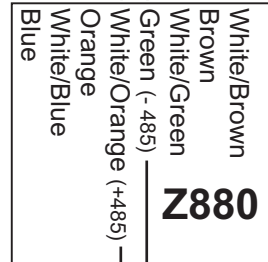
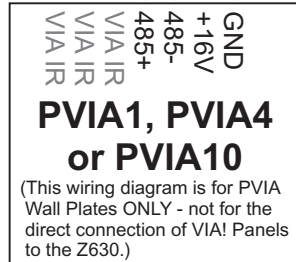
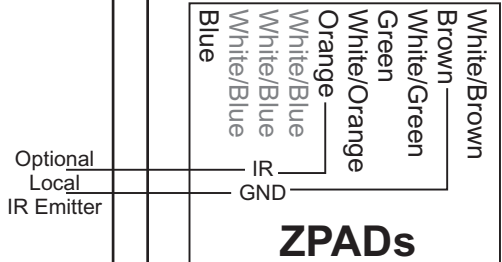
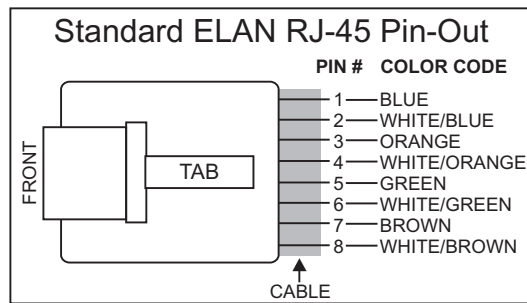
(see other side for Z630/Z100 Dip Switch settings & PZ6 Precision Panel connections)

Z630 #1 'IR INPUTS' RJ45 Jack

FUNCTION	Pin #	Color Code
Zone 1 IR Receive	1	Blue
Zone 2 IR Receive	2	White/Blue
Zone 3 IR Receive	3	Orange
+RS485	4	White/Orange
-RS485	5	Green
+12VDC	6	White/Green
GND	7	Brown
Page & Doorbell Control	8	White/Brown

ZPAD in Zone 1
ZPAD in Zone 2
ZPAD in Zone 3
VIA in Zone 1
VIA in Zone 2
VIA in Zone 3

Blue
White/Blue
Orange
White/Orange
Green
White/Green
Brown
White/Brown



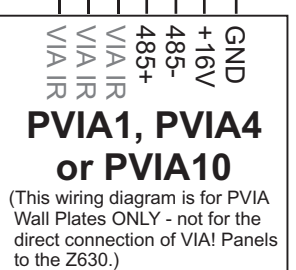
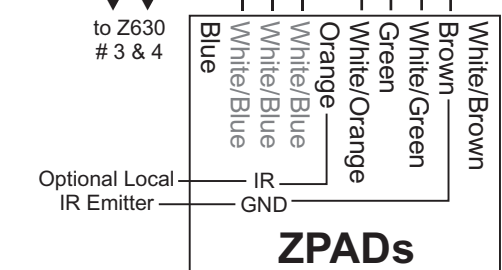
Z630 #2 'IR INPUTS' RJ45 Jack

FUNCTION	Pin #	Color Code
Zone 4 IR Receive	1	Blue
Zone 5 IR Receive	2	White/Blue
Zone 6 IR Receive	3	Orange
+RS485	4	White/Orange
-RS485	5	Green
+12VDC	6	White/Green
GND	7	Brown
Page & Doorbell Control	8	White/Brown

ZPAD in Zone 4
ZPAD in Zone 5
ZPAD in Zone 6
VIA in Zone 4
VIA in Zone 5
VIA in Zone 6

Blue
White/Blue
Orange
White/Orange
Green
White/Green
Brown
White/Brown

Z630 #3 (Zones 7-9)
Z630 #4 (Zones 10-12)



to Z630 # 3 & 4

